
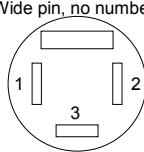
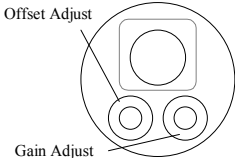


Generic Intrinsically Safe Sensor Installation Information

ATEX Qualified to Intrinsic Safety Standard Certificate number Sira 00ATEX2076X		 IIC 1G EEX ia IIC T4 (Ta = -40°C to +80°C)	
Supply Voltage: +5V +/- 0.5 Volts		O/P Volts at sensor +0.5 to +4.5V for 5V supply	
Pin No. / Cable Colour		Connector Pins	Adjustors
1 / Red	+ 5 V Supply	 Wide pin, no number	 Offset Adjust Gain Adjust
2 / White	Output		
3 / Black	0 V		
Wide Pin / Screen	Case		

Putting Into Service

The sensor must be used with a galvanically isolated three terminal barrier designed to supply the sensor with a nominal 5V and to transmit the buffered output to a safe area. Various Barrier output versions are available. The barrier must conform to:

U _i	11.4V
I _i	0.46A
P _i	0.51W

The sensor is certified to be used with up to 150m of cable with parameters not exceeding

Capacitance	0.55uF total
Inductance	0.66uH/m

The performance of the sensor may be affected by voltage drops in long cables. 5 wire connections may be use to eliminate this error. The typical supply current is 10mA and the sensor output is ratiometric to the supply voltage at the sensor.

Use

The sensor is designed to measure Linear or Rotary displacement and provide an analogue output voltage. See the specific product Information sheet for details

Assembly and Dismantling

The unit is not to be serviced or dismantled and re-assembled by the user.

Maintenance

No maintenance is required.

Installation

See the specific product Information sheet for details

Gain and Offset Adjustment may be available on some units.

If provided;- To adjust the gain or the offset remove the taptite screw from the cover and insert a small potentiometer adjuster or screwdriver 2mm across, 20mm long. The trim potentiometers are accessed through holes in a metal plate inside the sensor. Do not apply too much force on the potentiometers. The other electronics are protected from damage by the metal lid.



For further information, please contact:
 Everight Precision Technologies Corporation
 102 Commerce Dr., Unit 8, Moorestown, NJ 08057
www.everightsensors.com info@everightsensors.com
 phone: 856-727-9500 fax: 610-672-9663