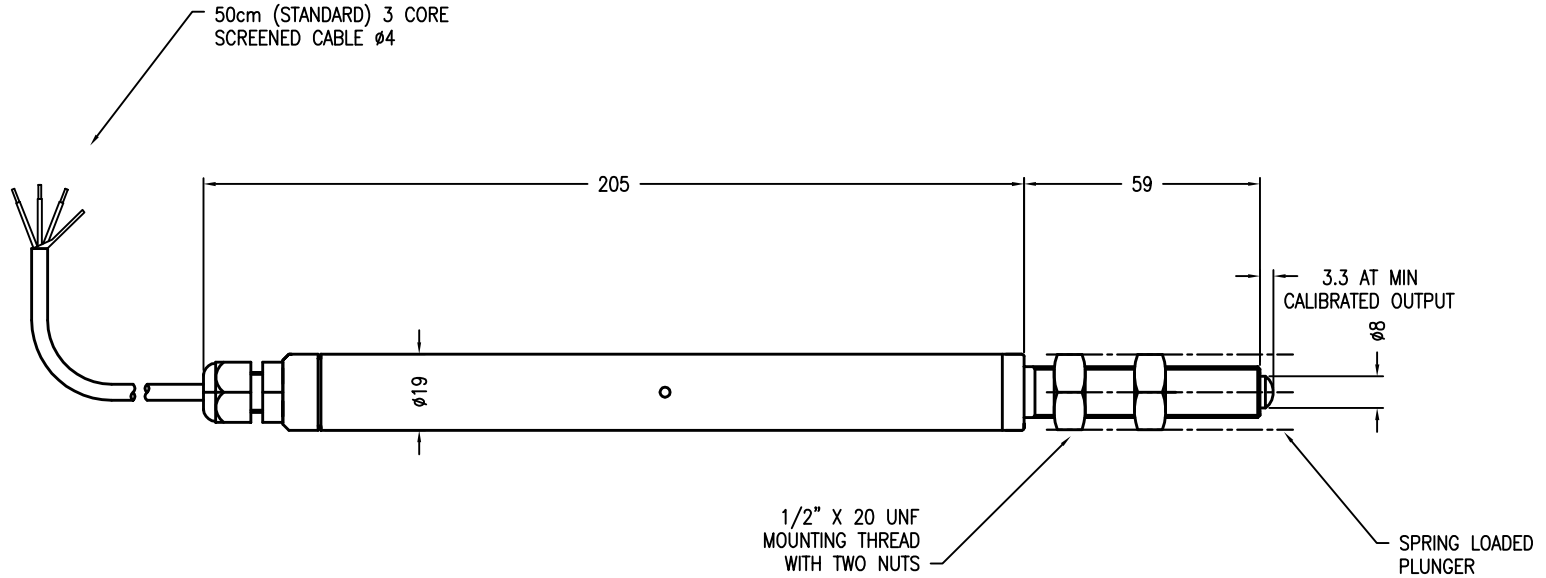


CHECKED
AT REV. C

RDS

DRAWING NOT TO BE CHANGED WITHOUT REFERENCE TO THE CHANGE PROCEEDURE.
CHANGES TO PARTS USED IN INTRINSICALLY SAFE PRODUCT MUST BE APPROVED
BY THE AUTHORISED PERSON
THIS IS AN UNCONTROLLED PRINT AND WILL NOT BE UPDATED



CONNECTIONS

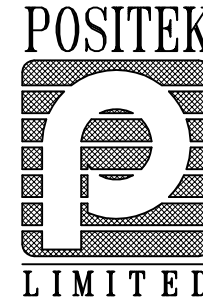
RED SUPPLY VOLTAGE 5V ±0.5
 WHITE OUTPUT 0.5 TO 4.5 V
 BLACK 0V SUPPLY
 SCREEN CASE

SENSOR IS CALIBRATED AT THE FACTORY FOR ANY STROKE IN THE RANGE 10 TO 50 mm

BODY MATERIAL STAINLESS STEEL

A	FIRST ISSUE	RDS
B	DRAIN HOLES ADDED	PDM
C	BODY TUBE LENGTH WAS 207	PDM

drawn at 50 mm stroke



A	13/12/04		MATERIAL	X ±0.4
B	04/01/05		SEE NOTE 1	X.X ±0.2
C	14/02/05			X.XX ±0.1
			DESCRIPTION	ALL DIMS mm
			GAUGE HEAD SENSOR 10 TO 50mm RANGE	
SCALE		DRAWING NUMBER P112-11 REV C		
20mm		SHEET 1 OF 1		