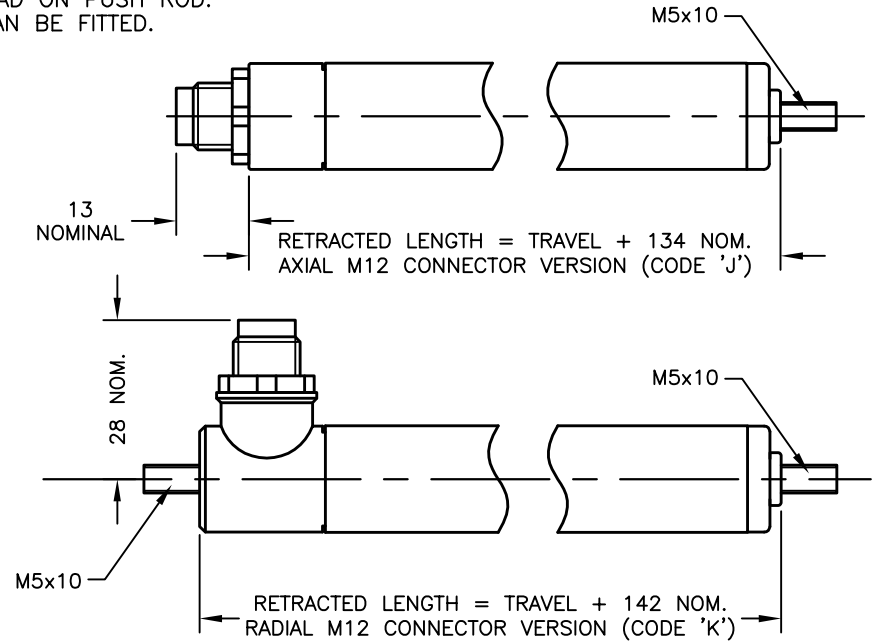
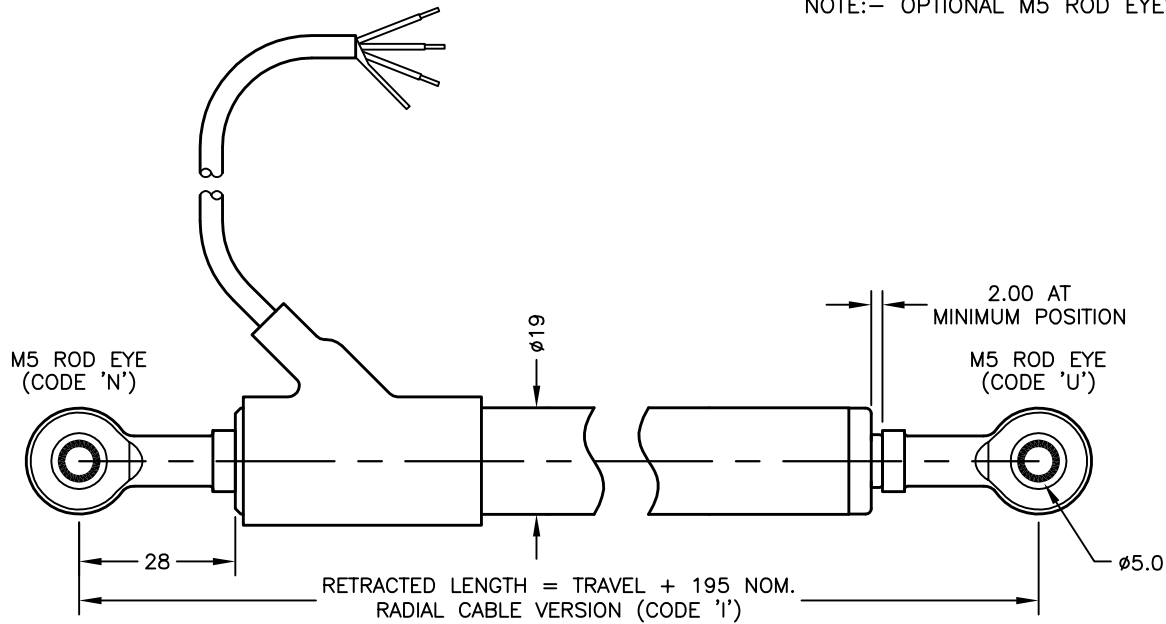


BODY MATERIAL:- STAINLESS STEEL

OPTIONS 'I' AND 'K', M5x10 MALE THREADS ON BODY TUBE AND PUSH ROD.
 OPTIONS 'J' AND 'L', M5x10 MALE THREAD ON PUSH ROD.
 NOTE:- OPTIONAL M5 ROD EYES CAN BE FITTED.



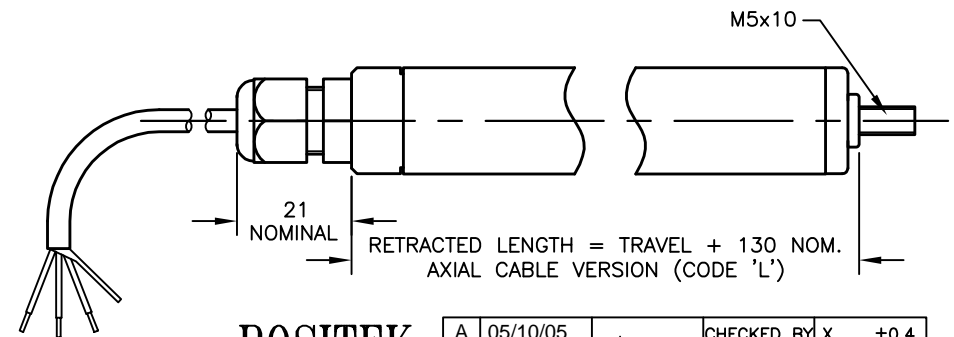
ELECTRICAL OPTIONS/ SPECIFICATIONS

SUPPLY OUTPUT
 5V ±1V 0.5 TO 4.5V RATIO METRIC
 SUPPLY CURRENT 20mA MAX.

CABLE LENGTH ORDERED IN cm.
 3-CORE SCREENED: 0.2mm², Ø4mm PUR JACKET.

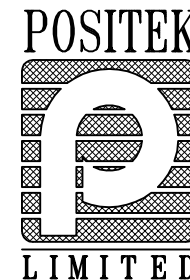
CABLE/CONNECTOR CONNECTIONS;

3 CORE	CONNECTOR	
RED	1	+Ve
BLACK	3	0V
WHITE	2	OUTPUT
SCREEN	4	BODY



A	FIRST ISSUE	PDM
B	CONNECTOR NOW STD. M12 TYPE.	PDM

DRAWINGS NOT TO BE CHANGED WITHOUT REFERENCE TO THE CHANGE PROCEDURE.
 CHANGES TO PARTS USED IN INTRINSICALLY SAFE PRODUCT MUST BE APPROVED
 BY THE AUTHORISED PERSON
 THIS IS AN UNCONTROLLED PRINT AND WILL NOT BE UPDATED.



A	05/10/05		CHECKED BY	X	±0.4
B	26/01/06		-	X.X	±0.2
			X.XX	±0.1	
			DIMS	mm	
DESCRIPTION					
SLIM-LINE LINEAR SENSOR (TRAVEL: 10 - 300mm)					
SCALE					
7.5mm					
DRAWING NUMBER			P113-11	REV	B
SHEET				1	OF 1