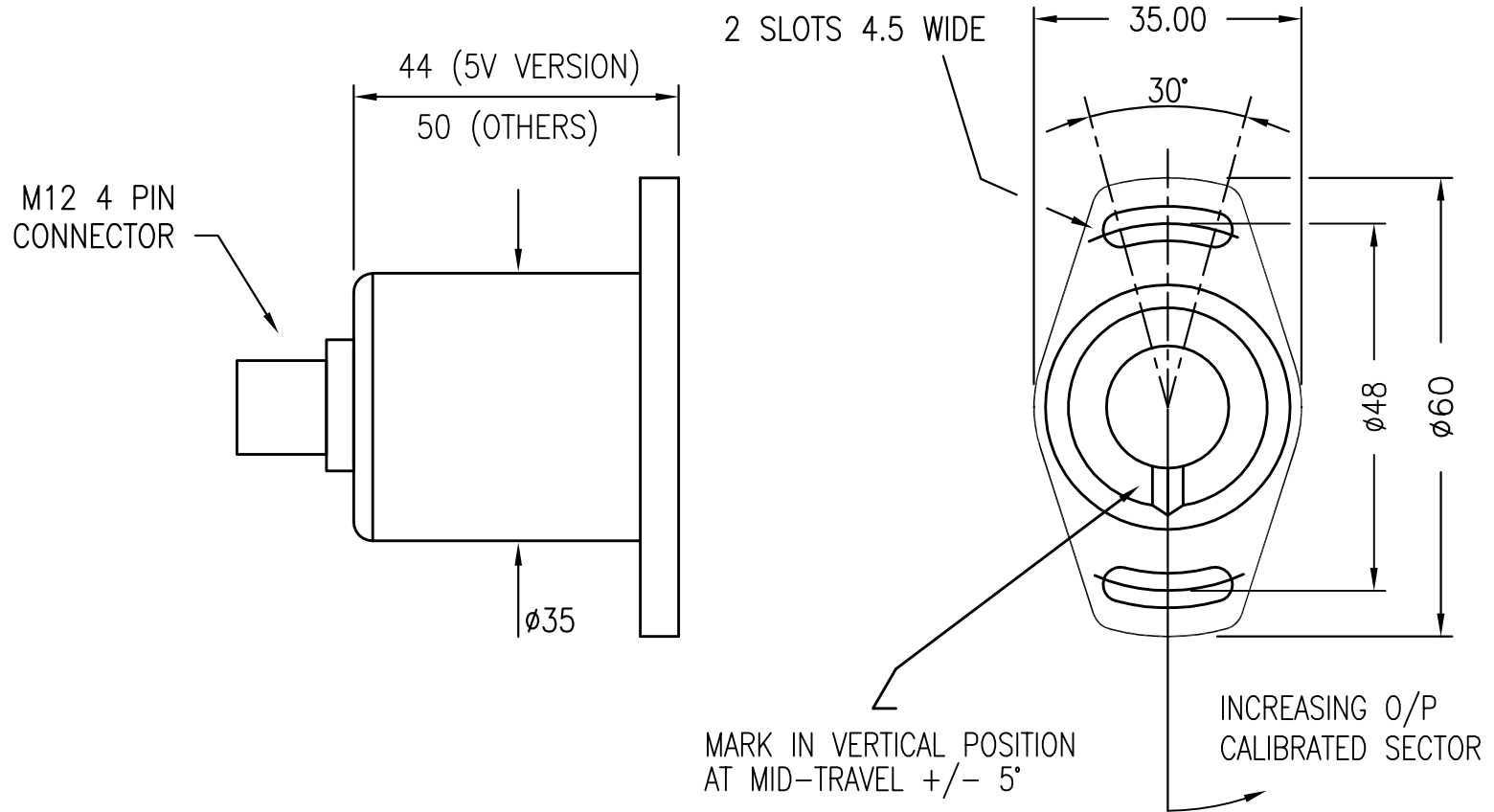
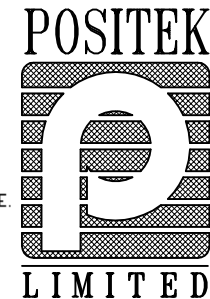


CHECKED AT REV. **A**
RDS



A	FIRST ISSUE	RDS
---	-------------	-----

DRAWING NOT TO BE CHANGED WITHOUT REFERENCE TO THE CHANGE PROCEEDURE.
CHANGES TO PARTS USED IN INTRINSICALLY SAFE PRODUCT MUST BE APPROVED
BY THE AUTHORISED PERSON
THIS IS AN UNCONTROLLED PRINT AND WILL NOT BE UPDATED



A	27/10/03	MATERIAL SEE NOTE 1	X ± 0.4 X.X ± 0.2 X.XX ± 0.1 ALL DIMS mm
DESCRIPTION TIPS P603 TILT SENSOR		DRAWING NUMBER P603-11 REV A	
SCALE 10mm		SHEET 1 OF 1	