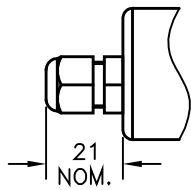
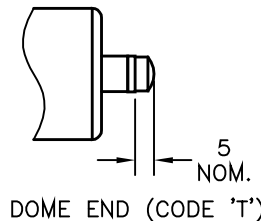
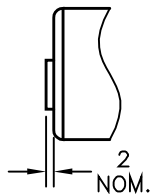


IP67 M12 CONNECTOR - RADIAL (CODE 'K')

CABLE + SHORT IP67 GLAND - AXIAL (CODE 'Mxx')



CABLE + IP67 GLAND - AXIAL (CODE 'Lxx')



ELECTRICAL SPECIFICATIONS

OUTPUT	SUPPLY
0.5 TO 4.5V RATIO METRIC	5V

CABLE LENGTH ORDERED IN cm. 1500cm MAX.
3-CORE SCREENED: 0.2mm², ø4mm PUR JACKET

CABLE/CONNECTOR CONNECTIONS;


3 CORE CONNECTOR		
RED	1	+Ve
BLACK	3	0V
WHITE	2	OUTPUT
SCREEN	4	BODY

BODY MATERIAL:- STAINLESS STEEL.

FURTHER OPTIONS:

- BODY CLAMP/S CODE 'P'/'P2')
- SPRING RETURN PUSH-ROD, TRAVEL <250mm
- RETURN TO EXTENDED POSITION (CODE 'R')
- RETURN TO RETRACTED POSITION (CODE 'S')
- PUSH-ROD FREE (CODE 'V')

NOTE:- READ INSTALLATION SHEET X101-19 FOR FULL INSTRUCTIONS FOR USE.

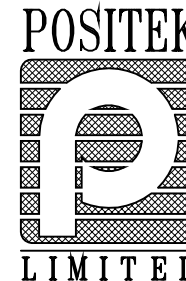
ATEX APPROVED TO

Ex ia IIC T4 (Ta = -40° to +80°C)
 Ui 11.4V, Ii 0.46A, Pi 0.51W

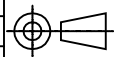
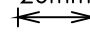
APPROVED FOR USE WITH A GALVANICALLY ISOLATED BARRIER.

C	RADIAL VERSION LENGTH CORRECTED, OPTIONS ADDED.	PDM
D	S OPTION ADDED.	RDS
E	NOMENCLATURE MODIFIED.	PDM

THE PUSH-ROD RETRACTS A FURTHER 3mm NOM. FROM SPECIFIED TRAVEL. STANDARD PUSH-ROD EXTENDS A FURTHER 8mm NOM. FROM SPECIFIED TRAVEL, 'V' CODED PUSH-ROD WILL DEPART SENSOR BODY.

DRAWINGS NOT TO BE CHANGED WITHOUT REFERENCE TO THE CHANGE PROCEDURE. CHANGES TO PARTS USED IN INTRINSICALLY SAFE PRODUCT MUST BE APPROVED BY THE AUTHORISED PERSON
THIS IS AN UNCONTROLLED PRINT AND WILL NOT BE UPDATED.



C	22/11/05		CHECKED BY	X	±0.4
D	10/5/06		RDS	X.X	±0.2
E	16/10/06			X.XX	±0.1
					DIMS mm
		DESCRIPTION			
		X101 INTRINSICALLY SAFE STAND ALONE LINEAR POSITION SENSOR			
		SCALE	DRAWING NUMBER	X101-11	REV E
		20mm			
					SHEET 1 OF 1