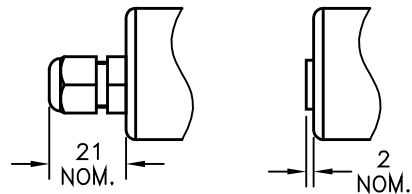


IP67 M12 CONNECTOR
- RADIAL (CODE 'K')

CABLE + SHORT IP67 GLAND
- AXIAL (CODE 'Mxx')



CABLE + IP67 GLAND
- AXIAL (CODE 'Lxx')

ELECTRICAL SPECIFICATIONS

OUTPUT	SUPPLY
0.5 TO 4.5V RATIO METRIC	5V

CABLE LENGTH ORDERED IN cm. 1500cm MAX.
3-CORE SCREENED: 0.2mm², ø4mm PUR JACKET

CABLE/CONNECTOR CONNECTIONS;

3 CORE CONNECTOR		
RED	1	+Ve
BLACK	3	0V
WHITE	2	OUTPUT
SCREEN	4	BODY

BODY MATERIAL:- STAINLESS STEEL.

FURTHER OPTIONS:

BODY CLAMP/S CODE 'P'/'P2')


SPRING RETURN PUSH-ROD, TRAVEL <250mm

RETURN TO EXTENDED POSITION (CODE R)

RETURN TO RETRACTED POSITION (CODE S)

PUSH-ROD FREE (CODE 'V')

NOTE:- READ INSTALLATION SHEET X111-19 FOR FULL INSTRUCTIONS FOR USE.

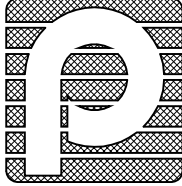
ATEX APPROVED TO

EEx ia IIC T4 (Ta= -40° to +80°C)
 Ui 11.4V, li 0.46A, Pi 0.51W

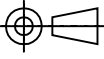
APPROVED FOR USE WITH A GALVANICALLY ISOLATED BARRIER.

C	RADIAL VERSION LENGTH CORRECTED, OPTIONS ADDED.	PDM
D	R & S OPTIONS ADDED.	RDS
E	NOMENCLATURE MODIFIED.	PDM

THE PUSH-ROD RETRACTS A FURTHER 3mm NOM. FROM SPECIFIED TRAVEL. STANDARD PUSH-ROD EXTENDS A FURTHER 8mm NOM. FROM SPECIFIED TRAVEL, 'V' CODED PUSH-ROD WILL DEPART SENSOR BODY.

DRAWINGS NOT TO BE CHANGED WITHOUT REFERENCE TO THE CHANGE PROCEDURE. CHANGES TO PARTS USED IN INTRINSICALLY SAFE PRODUCT MUST BE APPROVED BY THE AUTHORISED PERSON
THIS IS AN UNCONTROLLED PRINT AND WILL NOT BE UPDATED.

POSITEK

LIMITED

C	22/11/05	 CHECKED BY X ±0.4 RDS X.X ±0.2 X.XX ±0.1 DIMS mm
D	10/5/06	
E	18/10/06	
DESCRIPTION		X111 INTRINSICALLY SAFE RUGGED STAND ALONE LINEAR POSITION SENSOR
SCALE	20mm	
DRAWING NUMBER		X111-11 REV E
		SHEET 1 OF 1